

Technical Specification LR200 Flat LED panel

1. Technical Data : Model Name LR200 (Well-Lux series)



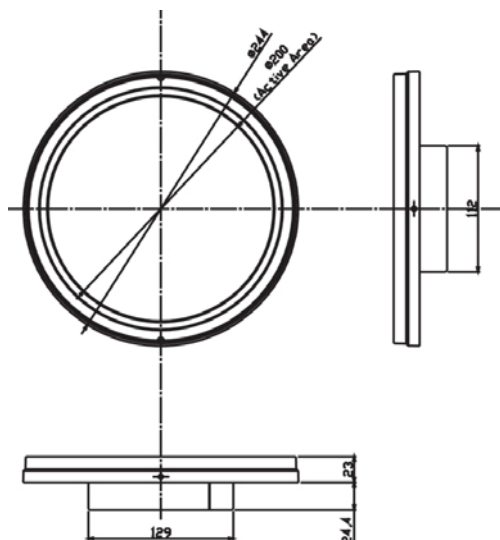
- LED light source close to natural light
- Environment friendly lighting (Less Co₂)
- Maintenance expense reduction
- No EMI and No Flickers
- Network and Dimming function available (Option)
- Main application : Home, Office, Parking lot

1.1 General

- Rated Input / Output voltage	Input : AC100 ~ 240V, 50/60Hz Output : DC48V,
- LED power consumption	18 watt
- Color Temperature	6,000k (Cool) or 3,500k (Warm)
- CRI	According to customer's requirement Standard : 70 +/- 5 Options : 80 +/- 5 or 90 +/-5 See the separate photometric information.
- Beam Angle	120°
- Operating temperature	-10°C ~ 60°C
- Control method	IR Remote controller as an option
- IP Rate	30
- Power supply unit	UL, CE, PSE Registered Certificates

1.2 Product dimensions

- Thickness	23 mm without power supply 47.4 mm with power supply
- Dimension (Diameter)	244 mm (Active area : 200mm)
- Net weight	1.8 kg



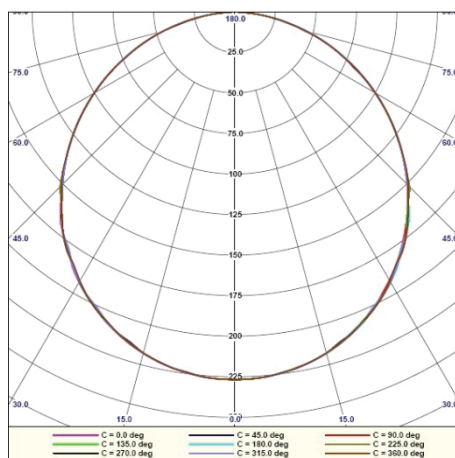
Technical Specification LR200 Flat LED panel

1.3 Optical characteristics

1.3.1 Photometric data in accordance with different CRI specification

No.	Class		Condition	Luminous Flux	Luminance from 1 meter
	CRI (Ra)	CCT (°K)		Lumen	Lux.
1	70 (± 5)	3,000 ~ 3,500	18 Watt Ta=25?	540	180
2		5,500 ~ 6,500		600	200
3	85 (± 5)	3,000 ~ 3,500		468	156
4		5,500 ~ 6,500		480	160
5	>90	3,000 ~ 3,500		420	140
6		5,500 ~ 6,500		462	154

1.3.2 Distribution curve of luminous intensity



1.4 General information

- Specification may be changed with prior notice.
- Due to the imbalance of LED light sources, each product may have slight differences in brightness within the specification.
- The product needs to be stored under the condition of 5°C ~ 40°C and 50% of room humidity.
- This product is designed for indoor application under the dry condition.