

Dumyat

Downlighter & Display Range / (Medium and Large)



Dumyat Downlighter

This family of circular compact fluorescent downlighters are available with various interchangeable attachments, offering a spectrum of effects suitable for a variety of applications. Available in two sizes.

Specification

- U.V. stabilised to prevent discolouring
- Aluminium faceted reflector
- Powder coated finish
- Spun aluminium housing
- Fabricated steel body
- Plug and socket system
- Integrated gear tray cover
- White bezel as standard

Application

- Corridors
- Communal Area
- Offices
- Shops
- Toilets
- Canteen
- Reception
- Shopping Centre
- Call Centre
- Circulation Area
- Conference Room



Product Codes

Small Body

T7DDM118CZ	1 x 18W PLC
T7DDM218CZ	2 x 18W PLC
T7DDM126CZ	1 x 26W PLC
T7DDM226CZ	2 x 26W PLC
T7DDM132CZ	1 x 32W PLT
T7DDM142CZ	1 x 42W PLT

Add suffix /EM for 3Hr Maintained Emergency

	T7DDM14EZ40	14W LED 4000°K
	T7DDM28EZ40	28W LED 4000°K

Accessories (DDM)

T7MIP44C	IP44 Clear
T7MIP44F	IP44 Frosted
T7MGB	Gold Bezel
T7MCB	Chrome Bezel
T7MSB	Brushed Steel Bezel

Product Codes

Large Body

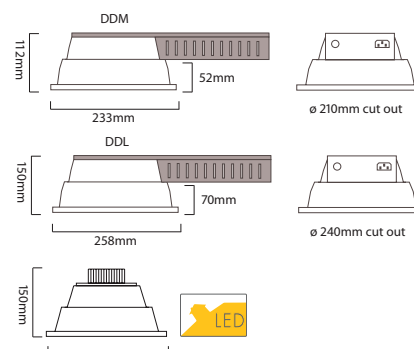
T7DDL232CZ	2 x 32W PLT
T7DDL242CZ	2 x 42W PLT

Add suffix /EM for 3Hr Maintained Emergency

Accessories (DDL)

T7LIP44C	IP44 Clear
T7LIP44F	IP44 Frosted
T7LGB	Gold Bezel
T7LCB	Chrome Bezel
T7LSB	Brushed Steel Bezel

Dimensions



LED lighting technology is constantly evolving our products will evolve accordingly.